



This Inovatool drill is designed to be used in the area of mould-making.

Drilling down quickly

Cutting tools - At EMO, tool manufacturer Inovatools from Haunstetten near Kinding, Germany, will be presenting a wide range of new tools. In addition to Inovatools First Choice recommendations and the Inoex Express Service, there will be a special focus on tools for mould construction (Mould & Die), medical engineering (Inomed) and aerospace (Inospace) at the trade show. The revised deep-hole drill product series (15xD to 30xD) will be a particular highlight, according to the company.

Tobias Eckerle, product manager at Inovatools, comments: "We have completely overhauled our range in this machining segment, resulting in our Deepmax deep-hole drills, which offer outstanding performance values in terms of service life and cutting values compared with equivalent tools on the market."

The performance of the Deepmax drills is based on various factors, including a geometry that has been adapted for this special drilling process and promises excellent chip removal for this application.

To achieve this, Inovatools relies on a special polishing technique that creates smooth chip grooves. The front geometry with a 135° point angle is necessary for the centring of the drill. Four lands are designed for hole quality, even

with oblique outlets and cross-drilled holes.

The smooth Varocon high-performance coating that was developed for the application ensures fast chip flow and a long tool service life, the company states. Eckerle adds: "We are also using a newly developed process for edge preparation in order to optimise the cutting edges precisely for the machining challenges of the deep-drilling process. This keeps cutting forces low, facilitates smooth running and maximises service life." Inovatools is offering the new Deepmax tools in 15xD, 20xD, 25xD and 30xD, all of which will be available from stock.

In addition to the Deepmax products, a wide range of tools for diverse applications will be on display at the Inovatools booth. These include Inospace tools for the aerospace industry, Inomed tools for medical engineering and Mould & Die tools for tool and mould construction. Examples of these tools include the Curvemax milling cutters for tool and mould construction. According to Inovatools, CSC (curve segment cutting) milling cutters not only shorten processing times for finishing complex freeform surfaces but, in doing so, also improve the surface quality compared with the standard, full-radius milling cutters used previously.

inovatools.eu,
Hall 5, Booth E84

EROWA® 
system solutions

NEW PERSPECTIVES

EMO 2019
Hall 12 / E 83

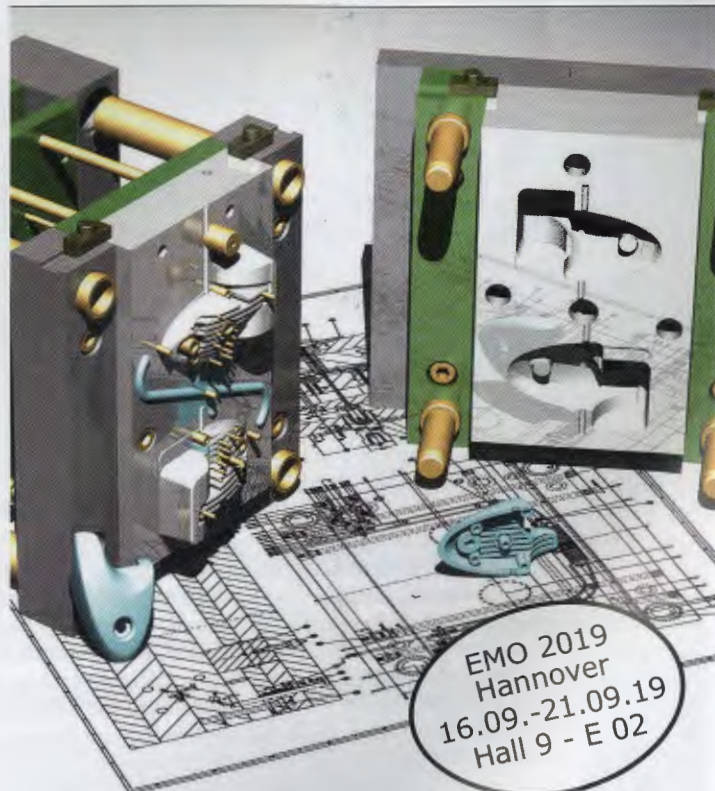
Ready for the future

EROWA is showing once more that even a trail-blazing original can be revolutionized.

www.erowa.com



SCHOTT SYSTEME
CAD/CAM + IT Software Developer



EMO 2019
Hannover
16.09.-21.09.19
Hall 9 - E 02

KSKOMM Text Nr. 595_6980
ETMM 09/2019 -22618-